

NON-CAPTIVE PLATE MOUNTS TYPE 8045

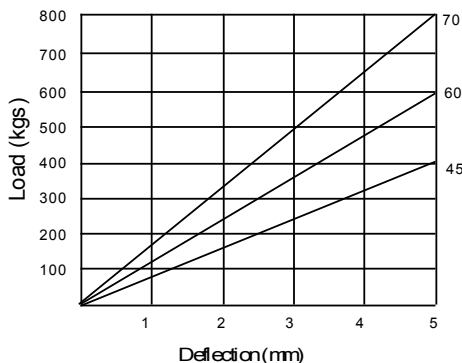
These low cost, fully bonded plate mounts are a compact design with a high load bearing capacity.

Features:

- Load range up to 800 kgs
- Oil resistant Neoprene rubber
- Ribbed base surface
- M12 fixings
- Metal surfaces are fully encapsulated
- Suitable for medium and high speed applications
- Available from stock in 3 different hardness's



Nominal Load/ Deflection Characteristics



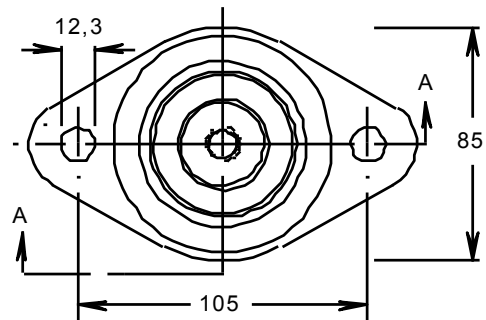
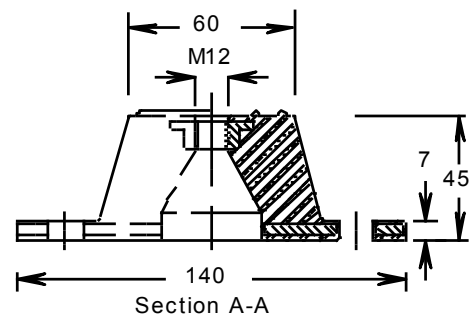
To order please use Part No.

NCPM8045/**

/** denotes rubber hardness

Applications include:

Diesel Engines Pumps
Generating Sets Compressors
Construction Plant Fan Sets
Various Industrial applications



For technical assistance or guidance please contact AV Mounts UK Ltd
To improve designs and services AV Mounts UK Ltd reserve the right to change this data sheet without notice.