

2 Part Mountings are an easy to use captive mounting that will provide an adequate level of isolation in many applications.

The mounts are designed to accept standard bolts and offer some flexibility in fitting, allowing for fabrication tolerances in structures.

Once installed the mount becomes captive and are most suitable for off-road, marine or agricultural use.

The range of possible applications is wide, ranging from small cabs to driven machinery and PTO's. They are also used to support exhaust air ducts and pipes in the marine industry.

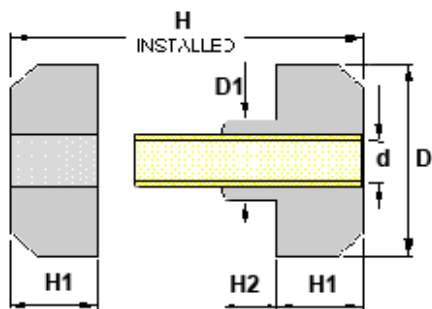
Two-Part Mountings



Standard mounts

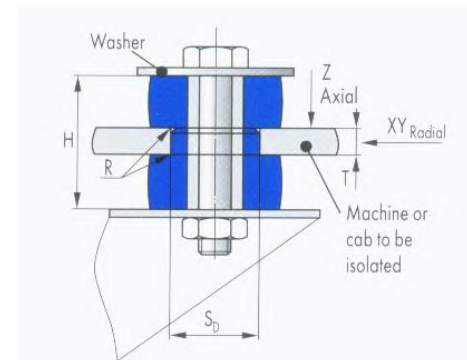


With steel reinforcement



Applications:

- Fans
- Radiators
- Instrument Panels
- Electric Motors
- Control Boxes
- Petrol and Diesel Engines
- Agricultural Equipment



Installation Guide

Part No	Max Vertical Load (N)	Deflection at Max Load (mm)	Component Dimensions (mm)						Frame	
			D	d	D1	H	H1	H2	T	S _D
TPM420	420	1.5	33.0	10.3	20.0	34.0	12.0	9.3	9.5	20.1
TPM1800	1800	1.5								
TPM640	640	2.5								
TPM910	910	2.4	48.0	13.5	31.0	50.0	20.5	10	10	31.1
TPM1650	1650	2.5								
TPM900	900	3.0								
TPM1600	1600	3.0	48.0	13.5	31.2 *	50.0	20.5	10	13	31.5
TPM2400	2400	3.0								
TPM3900	3900	3.0								
TPM2100	2100	3.0	64.8	16.5	39.5	60	22.5	15	20	40.0
TPM3000	3000	3.0								
TPM1330	1330	2.3								
TPM1890	1890	2.8	89.0	24.1	58.4	73	25	22	25	58.8
TPM2954	2954	3.7								
TPM5700	5700	1.5								

* These mounts are fitted with steel reinforcement

For technical assistance or guidance please contact **AV Mounts UK Ltd**
To improve designs and services **AV Mounts UK Ltd** reserve the right to change this data sheet without notice.